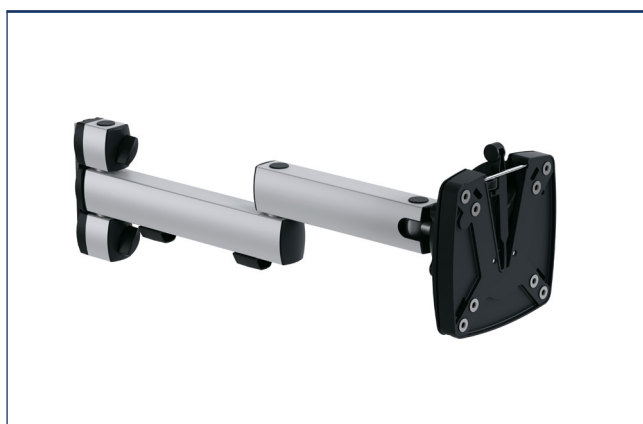




CalBench Monitor Arms

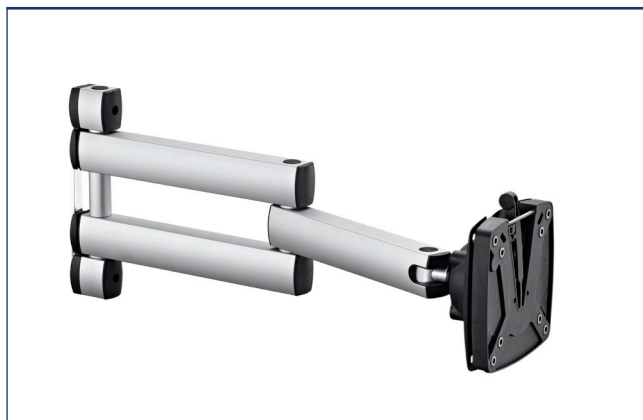
A range of premium quality monitor mounting arms that can be used with CalBenches, or on tables in workshops and laboratories. Each arm offers a solution to ergonomic positioning of monitors and displays, with adjustment to move the unit away from the workspace when not in use.

When purchased with the CalBench system, each arm provides a convenient method of situating a monitor that is used to duplicate the control centre module display. This is suitable for EasyCal software users that work on procedure development or on calibration administration. It also enables users to utilise a larger screen for other commonly used applications. The connection to the control centre is via the dedicated HDMI port on the right side of the under console light.



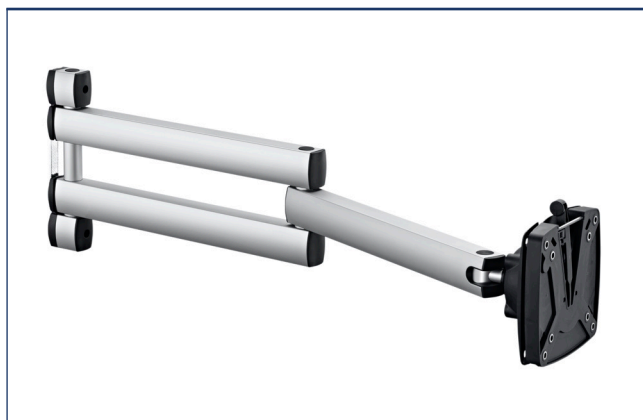
TL103 Monitor Arm SL

- Includes QuickFix feature for easy monitor mounting
- Suitable for use with touch screen monitors
- Supports loads up to 15 kg
- Sturdy aluminium/ABS construction
- Swivel head with 105° horizontal range
- Adjustable friction for swivel head
- 450 mm maximum range (17.71 ")
- Supplied pre-fitted to CalBench perfo panel when ordered together
- Benchtop pole/clamp mount optional



TL101 Monitor Arm M

- Includes QuickFix feature for easy monitor mounting
- Suitable for use with touch screen monitors
- Supports loads up to 15 kg
- Sturdy aluminium/ABS construction
- Swivel head with 105° horizontal range
- Adjustable friction for swivel head
- 505 mm maximum range (19.89 ")
- Supplied pre-fitted to CalBench perfo panel when ordered together
- Benchtop pole/clamp mount optional



TL102 Monitor Arm XL

- Includes QuickFix feature for easy monitor mounting
- Suitable for use with touch screen monitors
- Supports loads up to 10 kg
- Sturdy aluminium/ABS construction
- Swivel head with 105° horizontal range
- Adjustable friction for swivel head
- 705 mm maximum range (27.76 ")
- Supplied pre-fitted to CalBench perfo panel when ordered together
- Benchtop pole/clamp mount optional

Due to continuous development Time Electronics reserves the right to change specifications without prior notice.