



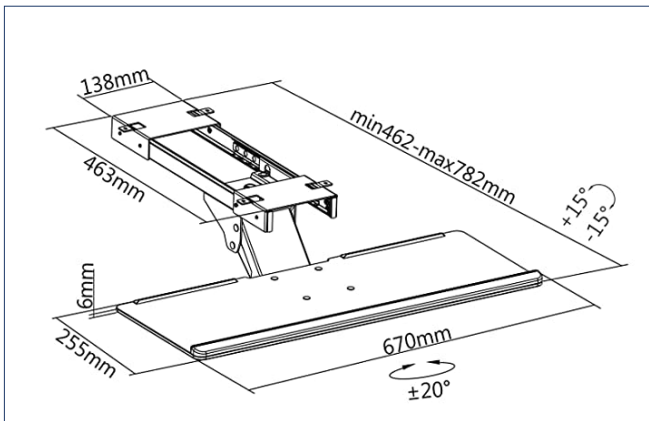
Description

The 7157 is an ergonomic under worktop tray system that allows users to take their keyboard and mouse off the work surface. It is a suitable addition for end users that operate the CalBench in standing positions, with potentially bulk equipment being tested and placed on the worktop.

Ordering Information

7157

Articulating Keyboard Tray for CalBench



Features/Specifications

- Industrial grade articulating keyboard tray with easy-adjust arm and tilt knob
- Easy angle adjustment and locking mechanism
- Tray for situating keyboard and mouse
- Ergonomic positioning with slide away feature
- Features lateral adjustment and 153 mm (6 ") height range
- Easy height adjustment with locking lever
- Easy angle adjustment with pull out lock
- Overall Length when closed: 560 mm (22 ")
- Overall Length when fully pulled out: 900 mm (35.5 ")
- Width of track; 183 mm (7.25 ")
- Slide travel: 408mm (16 ")
- Tray adjusts: 153 mm (6 ")
- Tray rotates: 360 Degrees
- Tray tilts: 25 Degrees (15 forward' 10 back)
- Ball bearing slide, Out: hold (with latch)
- Lever adjustment for height

Due to continuous development Time Electronics reserves the right to change specifications without prior notice.